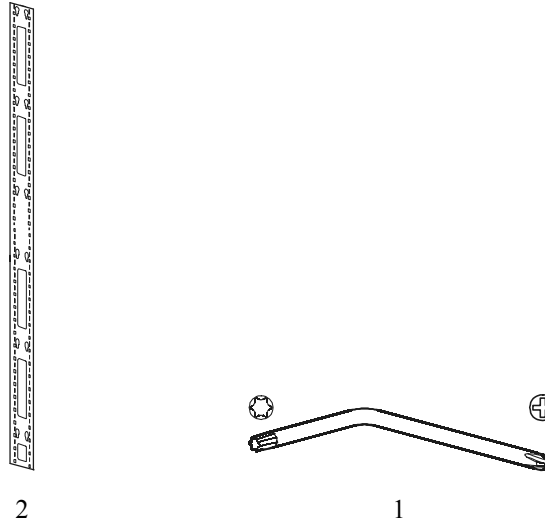


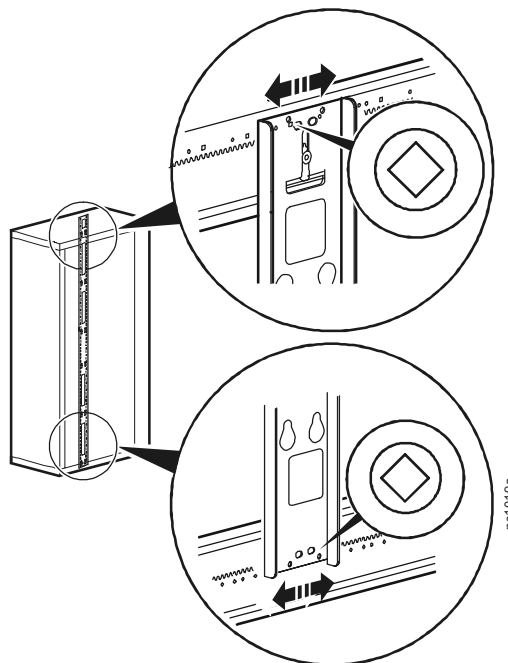
NetShelter[®] SX Rear Cable Channel Installation—AR7502, AR7572

Inventory

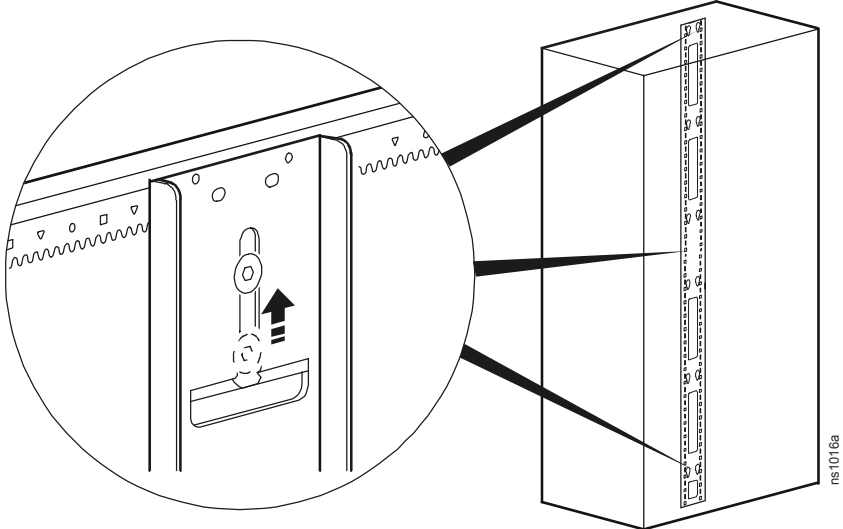


Installation

1. Lift and set the rear cable channel onto the side braces of the enclosure, ensuring that the three hooks on the back of the rear cable channel hook onto the side braces of the enclosure.
2. Move the rear cable channel to the desired location.
3. Align the rear cable channel so that the same symbols are visible through the holes at the top and bottom of the rear cable channel.



4. Push the screw in the rear cable channel up and tighten the screw to lock it into place.



ns1016a



990-2243-001



07/2005